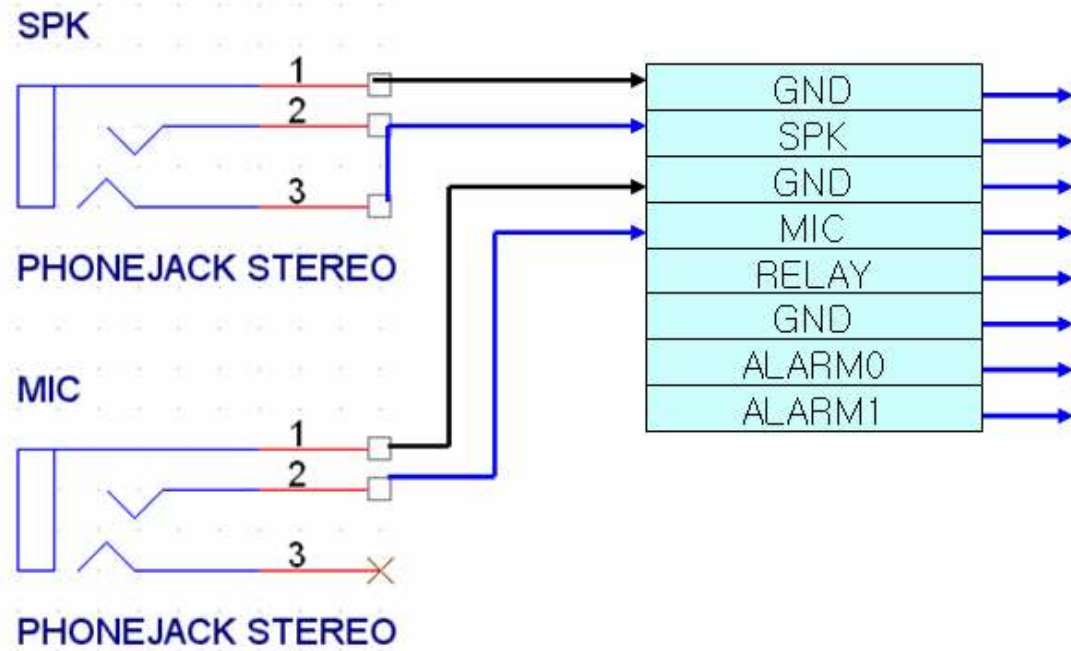
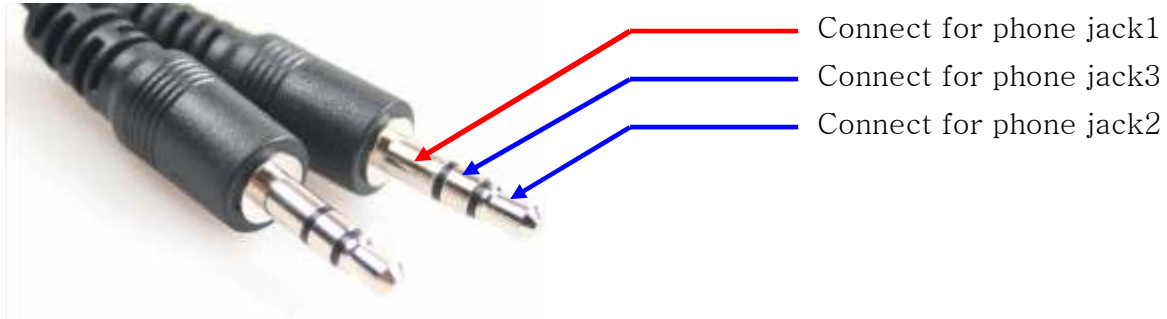


< S3838AL Audio jack connecting method >

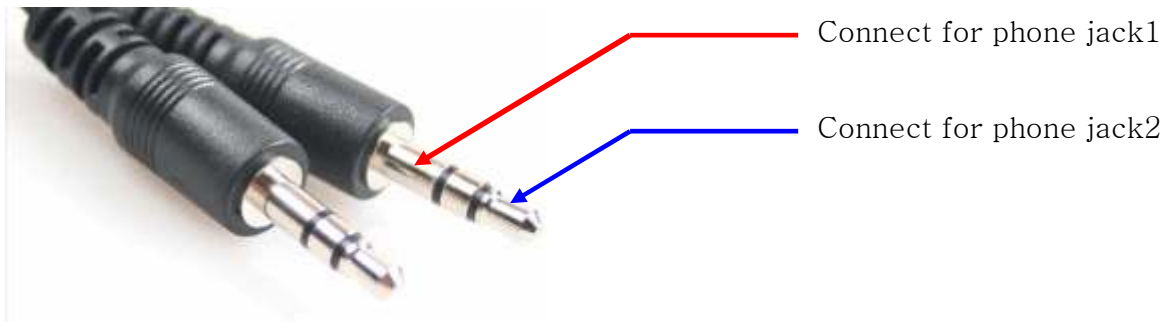


S3838AL Power Board

< Speaker Out >



< Audio In >



SPEAKER Out : STREREEO JACK Only

AUDIO In : MONO and STEREO Supported

< Reference >

Site : http://cnyis.com/en/product.php?action=type&id=13&c_num=2

Name : PJ-303T (3.5 PHONE JACK – SMT)

Detail :



Technological Parameter	
Contact Resistance	$\leq 0.03 \Omega$
Insulation Resistance	$\geq 100M \Omega$
Withstand Voltage	500V AV/min
Temperature	-20~70°C
Rated Load	DC 30V 0.3A
Insertion and Extaction Force	3~30N
Life	5000 Time

